

REV. C

SAE AS4628

FEDERAL SUPPLY CLASS 4720

RATIONALE

ADDED "K" CODE SLEEVE WITH CUFF.

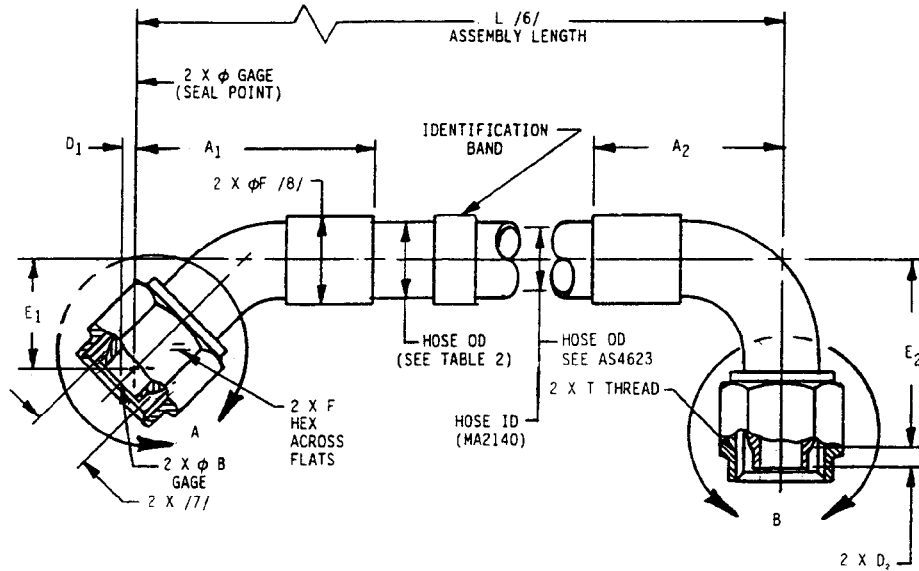


FIGURE 1 - HOSE ASSEMBLY, 45° ELBOW TO 90° ELBOW

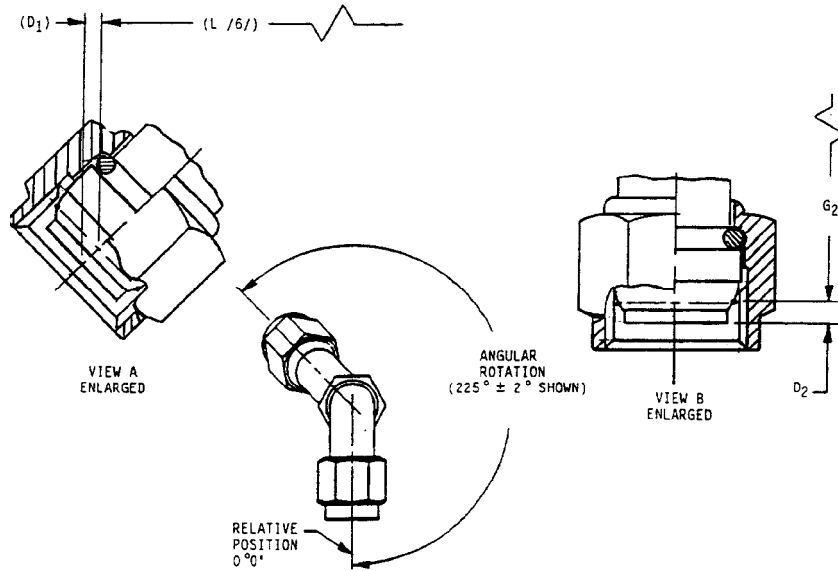
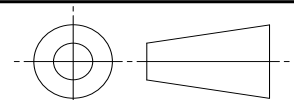


FIGURE 2 - FITTING ORIENTATION /19/

SAE values your input. To provide feedback on this Technical Report, please visit <http://www.sae.org/technical/standards/AS4628C>

THIRD ANGLE PROJECTION



CUSTODIAN: SAE G-3/G-3D

PROCUREMENT SPECIFICATION: /2/ AS4623

**SAE Aerospace**  
An SAE International Group

AEROSPACE STANDARD

HOSE ASSEMBLY, POLYTETRAFLUOROETHYLENE, PARA ARAMID REINFORCED, HEAVY-DUTY, 275 °F, 3000 PSI FLARELESS TITANIUM FITTINGS, INCLUDING JUMP SIZE, 45° TO 90°

**SAE AS4628**  
SHEET 1 OF 5

REV. C

SAE Technical Standards Board Rules provide that: "This report is published by SAE to advance the state of technical and engineering sciences. The use of this report is entirely voluntary, and its applicability and suitability for any particular use, including any patent infringement arising therefrom, is the sole responsibility of the user." SAE reviews each technical report at least every five years at which time it may be reaffirmed, revised, or cancelled. SAE invites your written comments and suggestions.

Copyright 2009 SAE International

All rights reserved. No part of this publication may be reproduced, stored in a retrieval system or transmitted, in any form or by any means, electronic, mechanical, photocopying, recording, or otherwise, without the prior written permission of SAE.

TO PLACE A DOCUMENT ORDER: Tel: 877-606-7323 (inside USA and Canada)

Tel: 724-776-4970 (outside USA)

No reproduction or networking permitted without license from IHS

Fax: 724-776-0790

Not for Resale Email: CustomerService@sae.org

SAE WEB ADDRESS: <http://www.sae.org>

ISSUED 1992-06 REAFFIRMED 2004-06 REVISED 2009-03

TABLE 1 – HOSE AND FITTING DIMENSIONS

BASIC HOSE ASSEMBLY NO. 4628 SIZE CODE	SIZE	/14/ FITTING TYPE	THREAD T PER AS8879	A <sub>1</sub> MAX	A <sub>2</sub> MAX	B GAGE BASIC	(C) HEX	D <sub>1</sub>	D <sub>2</sub>	E <sub>1</sub>		E <sub>2</sub>		F		BALL SIZE MIN THRU IN
										MAX	MIN	MAX	MIN	MAX	MIN	
E	0.250	S	0.4375-20UNJF-3B	2.160	1.180	0.2930	0.56	0.11	0.16	0.475	0.350	0.770	0.645	0.69	0.109	
G	0.375	S	0.5625-18UNJF-3B	2.460	2.180	0.4120	0.69	0.12	0.16	0.500	0.375	0.840	0.715	0.80	0.188	
H	0.500	S	0.7500-16UNJF-3B	2.740	2.538	0.5600	0.88	0.13	0.19	0.560	0.435	0.940	0.845	0.97	0.313	
J	0.625	S	0.8750-14UNJF-3B	3.785	3.375	0.6730	1.00	0.14	0.20	0.670	0.545	1.210	1.085	1.15	0.375	
K	0.750	S	1.0625-12UNJ-3B	4.810	3.940	0.8100	1.25	0.16	0.23	0.705	0.580	1.400	1.275	1.38	0.469	
M	1.000	S	1.3125-12UNJ-3B	5.540	4.510	1.0620	1.50	0.21	0.30	0.840	0.715	1.625	1.500	1.66	0.719	
N	1.250	S	1.5625-12UNJ-3B	6.770	5.310	1.3160	1.81	0.03	0.04	0.875	0.750	1.825	1.700	2.32	0.875	

TABLE 2 – HOSE OR SLEEVE OUTSIDE DIAMETERS /10/

SLEEVE CODE	SLEEVE MATERIAL	TEMP LIMIT °F	HOSE SIZE												
			0.250	0.375	0.500	0.625	0.750	1.000	1.250	1.500	1.750	2.000			
-	(-) INDICATES HOSE ONLY NO SLEEVE (SEE AS4623)	275	--	--	--	--	--	--	--	--	--	--	--	--	--
A	FIRE SLEEVE (AS1072 SIL-FG) (5 MIN) /11/12/13/	275	0.930/0.730	1.070/0.880	1.205/1.015	1.370/1.130	1.590/1.380	1.847/1.677	2.130/1.950						
B	ABRASION SLEEVE SHRINK-ON (POLYOLEFIN AS1073-CODE B) /20/	275	0.620/0.540	0.770/0.690	0.917/0.833	1.042/0.948	1.314/1.206	1.623/1.511	1.896/1.784						
K	INTEGRAL ABRASION SLEEVE (BRAIDED) POLYESTER /21/	275	0.555/0.635	0.675/0.755	0.840/0.920	0.935/1.025	1.205/1.305	1.502/1.602	1.775/1.875						

TABLE 3 – HOSE ASSEMBLY LENGTH TOLERANCES

HOSE ASSEMBLY LENGTH	TOLERANCE
UNDER 18 IN	± 0.125 IN
18 TO 36 IN EXCLUSIVE	± 0.250 IN
36 TO 50 IN EXCLUSIVE	± 0.500 IN
50 IN AND OVER	±1%

TABLE 4 – CUFF LENGTHS

HOSE SIZE	LENGTH (INCHES) ± 0.25
0.250	2.25
0.375	2.75
0.500	3.50
0.625	4.25
0.750	5.75
1.000	6.00
1.250	6.75

TABLE 5 – MAXIMUM HOSE AND FITTING WEIGHTS

HOST OR SLEEVE CODE	HOSE, PART OR SLEEVE	UNITS	HOSE SIZE														
			0.250	0.375	0.500	0.625	0.750	1.000	1.250	1.500	1.750	2.000					
--	HOSE ONLY (SEE AS4623)	LB/IN	--	--	--	--	--	--	--	--	--	--	--	--	--	--	--
A	FIRE SLEEVE (AS1072 SIL-FG) (5 MIN) /14/	LB/IN	--	--	--	--	--	--	--	--	--	--	--	--	--	--	--
B	ABRASION SLEEVE (AS1073 - CODE B) /20/	LB/IN	0.0018	0.0018	0.0032	0.0032	0.0049	0.0082	0.0082	0.0082	0.0082	0.0082	0.0082	0.0082	0.0082	0.0082	0.0082
NONE	FIRE SLEEVE CLAMP	LB/EA	0.020	0.020	0.021	0.021	0.025	0.025	0.025	0.025	0.025	0.025	0.025	0.025	0.025	0.025	0.025
NONE	FITTING END (45°) /15/	LB/EA	0/066	0.110	0.154	0.275	0.535	0.944	0.944	0.944	0.944	0.944	0.944	0.944	0.944	0.944	0.944
NONE	FITTING END (90°) /15/	LB/EA	0.077	0.121	0.176	0.297	0.560	0.947	0.947	0.947	0.947	0.947	0.947	0.947	0.947	0.947	0.947
K	ABRASION SLEEVE POLYESTER WITH HOSE /21/	LB/IN	0.013	0.017	0.023	0.026	0.035	0.058	0.058	0.058	0.058	0.058	0.058	0.058	0.058	0.058	0.058

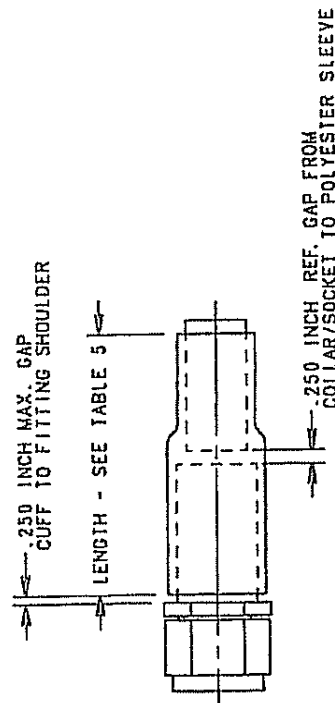


FIGURE 3 – POLYESTER ABRASION SLEEVE CUFF /21/